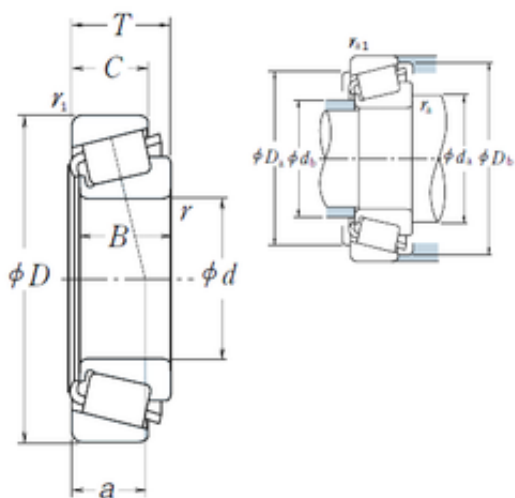




# FAG BEARING LIMITED



65,088 mm x 135,755 mm x 56,007 mm NSK  
6379/6320 tapered roller bearings

Bearing No. 6379/6320

6379/6320 Bearing 2D drawings and 3D CAD models

Size	65.088x135.755x53.975 mm
Bore Diameter	65,088 mm
Outer Diameter	135,755 mm
Width	53,975 mm
d	65,088 mm
D	135,755 mm
T	53,975 mm
B	56,007 mm
C	44,45 mm
ra1 max.	3,3 mm
a	35 mm
r min.	3,5 mm
r1 min.	3,3 mm
Da	117 mm
db	77 mm
ra max.	3,5 mm
da	84 mm
Db	126 mm
Weight	3,64 Kg
Basic dynamic load rating (C)	264 kN
Basic static load rating (C0)	355 kN
(Grease) Lubrication Speed	2800 r/min
(Oil) Lubrication Speed	3800 r/min
Calculation factor (e)	0,32
Calculation factor (Y0)	1



## FAG BEARING LIMITED

LangID	1
ALP23	0
outer r	3.3
ALP22	25
D_	135.755
ALP21	24
SHOG_yobi	6379/6320
RAr	292.251
inner r	3.5
GRS rpm	2800
D_b	126
D_a	117
DE_	115.286
SLR	41
Prod_Type3	TRBSR_ID_A
BETA_	1
ALPHA_	12.208
SDM_	98.672
DA1	17.849
DA2	15.353
hidYobi	6379/6320
Y1	1.8
B_	56.007
Oil rpm	3800
hidTable	ecat_NSTPRI
Y0	1
inner ra	3.5
outer rb	3.3
C0	355
CUP	1.39
e	0.32
DA_	17.071



## FAG BEARING LIMITED

BET21	3
BET22	30
BET23	0
Z_	15
C_	44.45
yobi	6379/6320
KBRG	3161
CONE	2.25
DI_	81.802