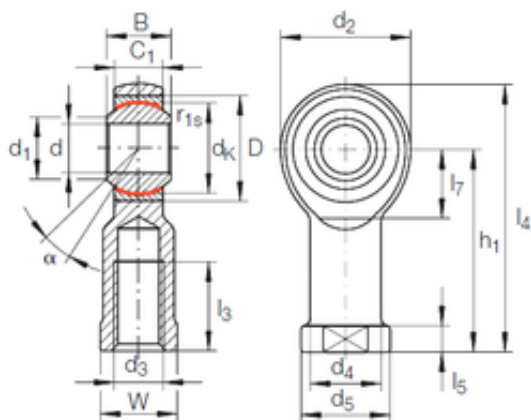




# FAG BEARING LIMITED

## 18 mm x 35 mm x 23 mm INA GIKFR 18 PW plain bearings



GIKFR 18 PW Bearing 2D drawings and 3D CAD models

Bearing No. GIKFR 18 PW

|                               |             |
|-------------------------------|-------------|
| Size                          | 18x35x23 mm |
| Bore Diameter                 | 18 mm       |
| Outer Diameter                | 35 mm       |
| Width                         | 23 mm       |
| d                             | 18 mm       |
| D                             | 35 mm       |
| B                             | 23 mm       |
| d1                            | 21,8 mm     |
| d2                            | 46 mm       |
| d4                            | 25 mm       |
| dk                            | 31,75 mm    |
| h1                            | 71 mm       |
| l3 min.                       | 32 mm       |
| l4 max.                       | 94 mm       |
| l5                            | 10 mm       |
| l7 min.                       | 25 mm       |
| r1 min.                       | 0,3 mm      |
| C1                            | 16,5 mm     |
| W                             | 27 mm       |
| Thread (G)                    | M18X1,5     |
| Angle                         | 15 °        |
| d5                            | 31 r/min    |
| Weight                        | 0,32 Kg     |
| Basic dynamic load rating (C) | 47,5 kN     |