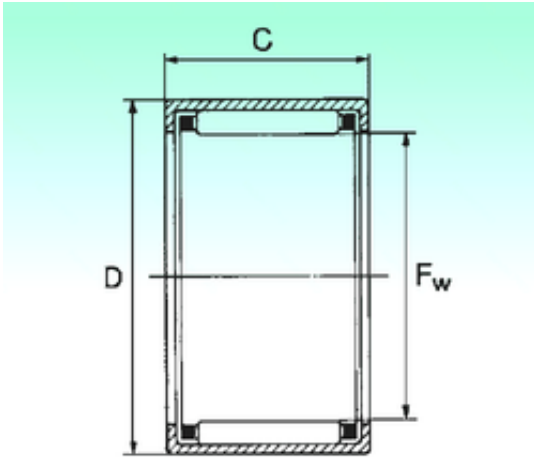




FAG BEARING LIMITED



NBS HK 3016 needle roller bearings

Bearing No. HK 3016

Size	30x37x16 mm
Bore Diameter	30 mm
Outer Diameter	37 mm
Width	16 mm
Fw	30 mm
D	37 mm
C	16 mm
Weight	0,032 Kg
Basic dynamic load rating (C)	16,35 kN
Basic static load rating (C0)	27,55 kN

HK 3016 Bearing 2D drawings and 3D CAD models