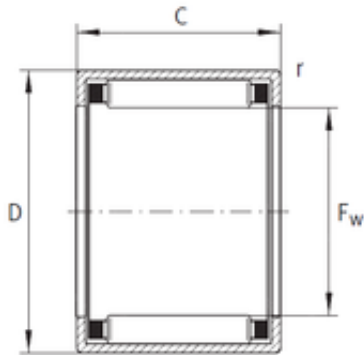




FAG BEARING LIMITED

INA HK3516 needle roller bearings



HK3516 Bearing 2D drawings and 3D CAD models

Bearing No. HK3516

Size	35x42x16 mm
Bore Diameter	35 mm
Outer Diameter	42 mm
Width	16 mm
Fw	35 mm
D	42 mm
C	16 mm
c1 min	—
r min.	0,8 mm
Weight	0,036 Kg
Basic dynamic load rating (C)	18,7 kN
Basic static load rating (C0)	33,5 kN
Fatigue load limit (Pu)	4,4
Reference speed	5 600 r/min
Category	Roller Bearings
Inventory	0.0
Manufacturer Name	SCHAEFFLER GROUP
Minimum Buy Quantity	N/A
Weight / Kilogram	0
EAN	4012801170932
Product Group	B04144