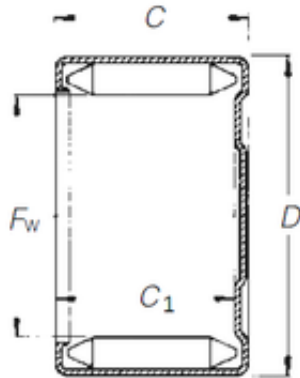




# FAG BEARING LIMITED

## Timken DLF 8 10 needle roller bearings

Bearing No. DLF 8 10



DLF 8 10 Bearing 2D drawings and 3D CAD models

Size	8x14x10 mm
Bore Diameter	8 mm
Outer Diameter	14 mm
Width	10 mm
F <sub>w</sub>	8 mm
D	14 mm
C	10 mm
C <sub>1</sub>	7,7 mm
Weight	0,005 Kg
Basic dynamic load rating (C)	4,5 kN
Basic static load rating (C <sub>0</sub> )	6,5 kN
(Grease) Lubrication Speed	24000 r/min