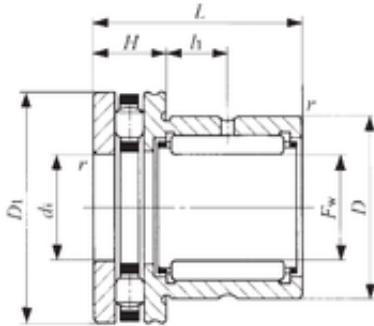




# FAG BEARING LIMITED

## IKO NBX 4032 complex bearings



Bearing No. NBX 4032

Bore Diameter	40 mm
Outer Diameter	52 mm
Fw	40 mm
D	52 mm
D1	60 mm
d1	40 mm
r min.	0,6 mm
H	13 mm
L	32 mm
L1	10 mm
da min.	57 mm
Weight	0,24 Kg
Dynamic load rating radial (C)	29,4 kN
Dynamic load rating axial (C)	41,7 kN
Static load rating radial (C0)	54,1 kN
Static load rating axial (C0)	133 kN

NBX 4032 Bearing 2D drawings and 3D CAD models