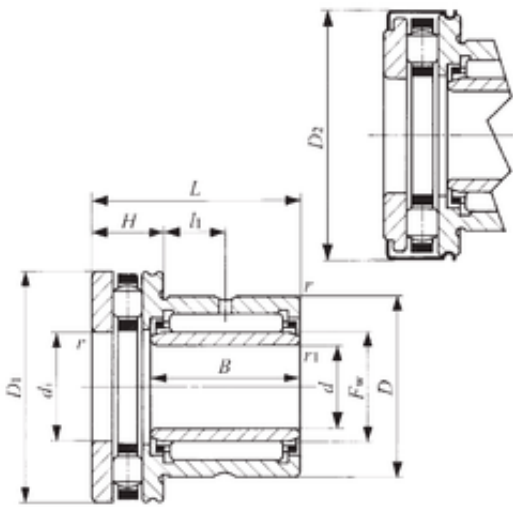




# FAG BEARING LIMITED

14 mm x 26 mm x 17 mm 14 mm x 26 mm x 17 mm IKO NBXI 1425Z complex bearings

Bearing No. NBXI 1425Z



NBXI 1425Z Bearing 2D drawings and 3D CAD models

|                                |           |
|--------------------------------|-----------|
| Bore Diameter                  | 14 mm     |
| Outer Diameter                 | 26 mm     |
| d                              | 14 mm     |
| Fw                             | 17 mm     |
| D                              | 26 mm     |
| D1                             | 30 mm     |
| D2                             | 31 mm     |
| B                              | 17 mm     |
| d1                             | 17 mm     |
| r min.                         | 0,3 mm    |
| r1 min.                        | 0,3 mm    |
| H                              | 9 mm      |
| L                              | 25 mm     |
| L1                             | 8 mm      |
| da min.                        | 28 mm     |
| db                             | 16 mm     |
| Weight                         | 0,0725 Kg |
| Dynamic load rating radial (C) | 12,9 kN   |
| Dynamic load rating axial (C)  | 11,4 kN   |
| Static load rating radial (C0) | 16,3 kN   |
| Static load rating axial (C0)  | 28,6 kN   |
| Category                       | Bearings  |
| Inventory                      | 0.0       |
| Manufacturer Name              | IKO       |
|                                |           |



## FAG BEARING LIMITED

|                      |        |
|----------------------|--------|
| Minimum Buy Quantity | N/A    |
| Weight / Kilogram    | 0      |
| Product Group        | B04144 |