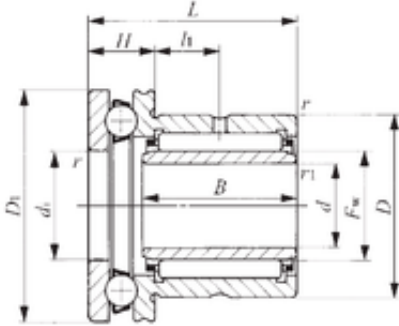




FAG BEARING LIMITED

7 mm x 19 mm x 16 mm 7 mm x 19 mm x 16 mm IKO NAXI 723 complex bearings



NAXI 723 Bearing 2D drawings and 3D CAD models

Bearing No. NAXI 723

| | |
|--------------------------------|-----------|
| Bore Diameter | 7 mm |
| Outer Diameter | 19 mm |
| d | 7 mm |
| Fw | 10 mm |
| D | 19 mm |
| D1 | 24 mm |
| B | 16 mm |
| d1 | 10 mm |
| r min. | 0,3 mm |
| r1 min. | 0,2 mm |
| H | 9 mm |
| L | 23 mm |
| L1 | 6,5 mm |
| da min. | 18 mm |
| db | 9 mm |
| Weight | 0,0435 Kg |
| Dynamic load rating radial (C) | 8,23 kN |
| Dynamic load rating axial (C) | 10 kN |
| Static load rating radial (C0) | 9,19 kN |
| Static load rating axial (C0) | 11,1 kN |
| Category | Bearings |
| Inventory | 0.0 |
| Manufacturer Name | IKO |
| Minimum Buy Quantity | N/A |
| | |



FAG BEARING LIMITED

| | |
|-------------------|--------|
| Weight / Kilogram | 0 |
| Product Group | B04144 |