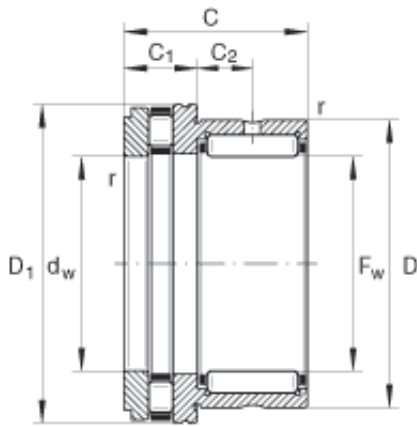




FAG BEARING LIMITED



NKXR17 Bearing 2D drawings and 3D CAD models

INA NKXR17 complex bearings

Bearing No. NKXR17

Size	17x26x25 mm
Bore Diameter	17 mm
Outer Diameter	26 mm
Width	25 mm
F_w	17 mm
D	26 mm
C - 25 mm / Tolerance: -0,25	25 mm / Tolerance: 0,25
C_1 - 9 mm / Tolerance: -0,2	9 mm / Tolerance: 0,2
C_2	8 mm
$D_{1 \max}$	30,1 mm
d_a	25,7 mm
d_w	17 mm / Tolerance: E8
$r_{a \max}$	0,3 mm
r_{\min}	0,3 mm
	NAXR17 / Designation to DIN 5429
m	50 g / Weight
C_r	13500 N / Dynamic load rating (radial)
C_{0r}	15000 N / Static load rating (radial)
C_a	16000 N / Dynamic load rating (axial)
C_{0a}	33500 N / Static load rating (axial)
C_{ur}	2750 N / Fatigue limit load,



FAG BEARING LIMITED

	radial
C_{ua}	4650 N / Fatigue limit load, axial
n_G	12000 1/min / Limiting speed
n_B	5500 1/min / Reference speed
	IR14X17X17 / Suitable inner ring
Category	Thrust Roller Bearing
Inventory	0.0
Manufacturer Name	SCHAEFFLER GROUP
Minimum Buy Quantity	N/A
Weight / Kilogram	0.05
EAN	4012802060386
Product Group	B00234
Rolling Element	Combination - Needle Roller and Thrust Roller Bearing
Self Aligning	No
Component Description	Roller Assembly plus Raceways
Thrust Bearing	Yes
Single or Double Direction	Single Direction
Banded	No
Cage Material	Steel
Precision Class	ABEC 1 ISO P0
Long Description	17MM Bore 1; 17MM Bore 2; 26MM Outside Diameter; 25MM Height; Combination - Needle Roller and Thrust Roller Bearing; Single Direction; Not Self Aligning; Not Banded; Steel Cage; ABEC 1 ISO P0; Rolle
Inch - Metric	Metric



FAG BEARING LIMITED

Category	Thrust Roller Bearings
UNSPSC	31171537
Harmonized Tariff Code	8482.80.00.80
Noun	Bearing
Keyword String	Combination
Manufacturer URL	http://www.ina.com
Manufacturer Item Number	NKXR17
Weight / LBS	0.11
Outside Diameter	1.024 Inch 26 Millimeter
Height	0.984 Inch 25 Millimeter
Bore 1	0.669 Inch 17 Millimeter
Bore 2	0.669 Inch 17 Millimeter
Overall Height with Aligning Washer	0 Inch 0 Millimeter