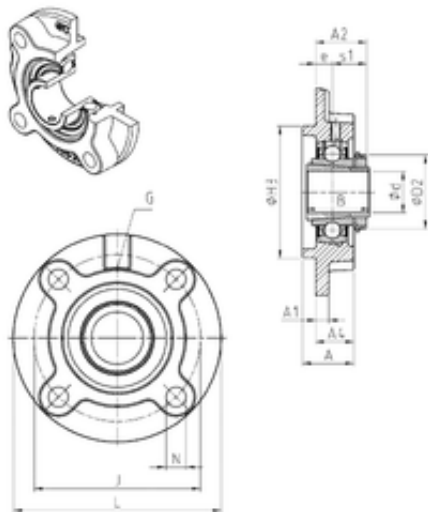




# FAG BEARING LIMITED



## SNR UKFC212H bearing units

Bearing No. UKFC212H

Bore Diameter	55 mm
d	55 mm
H3	135 mm
A4	36 mm
e	17 mm
s1	31 mm
A	48 mm
A1	15 mm
B	62 mm
D2	80 mm
J	160 mm
L	195 mm
N	19 mm
Thread (G)	M6x1
A2	48 mm
Weight	4,9 Kg
Basic dynamic load rating (C)	52,5 kN

UKFC212H Bearing 2D drawings and 3D CAD models