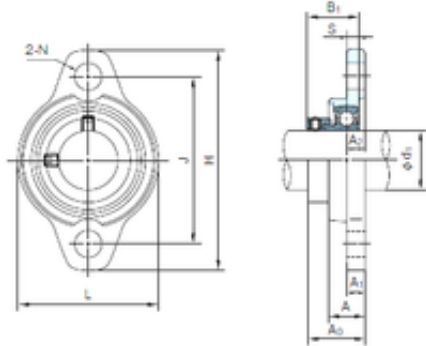




FAG BEARING LIMITED

NACHI UFL000 bearing units



Bearing No. UFL000

Bore Diameter	10 mm
d	10 mm
A0	19 mm
A	11.5 mm
A1	5.5 mm
B1	17.5 mm
H	60 mm
J	45 mm
L	36 mm
N	7 mm
S	4 mm
Bolt (G)	M6
A2	5.5 mm

UFL000 Bearing 2D drawings and 3D CAD models