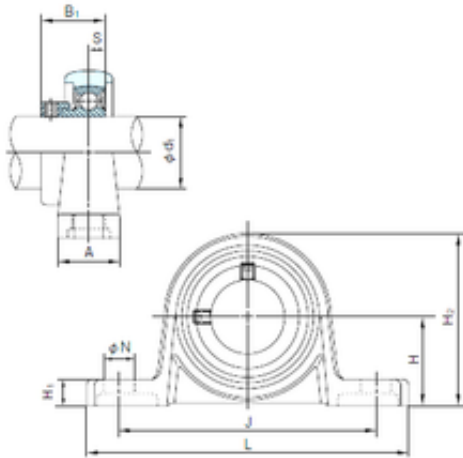




FAG BEARING LIMITED

NACHI UP002 bearing units



Bearing No. UP002

Bore Diameter	15 mm
Width	18.5 mm
d	15 mm
A	16 mm
B	18.5 mm
B1	43 mm
H	22 mm
H1	7 mm
H2	7 mm
J	63 mm
L	80 mm
N	7 mm
S	4.5 mm
Bolt (G)	M 6

UP002 Bearing 2D drawings and 3D CAD models