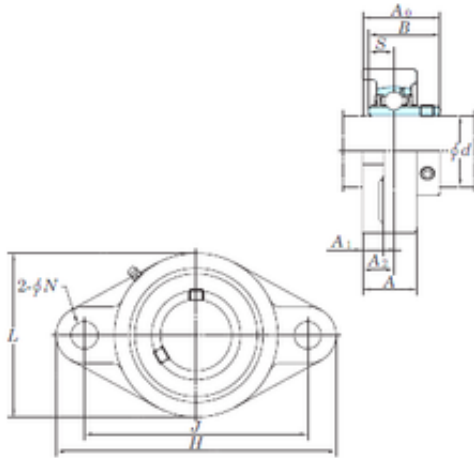




FAG BEARING LIMITED



KOYO UCFL213E bearing units

Bearing No. UCFL213E

| | |
|-------------------------------|---------|
| Bore Diameter | 65 mm |
| d | 65 mm |
| A0 | 69,7 mm |
| A | 50 mm |
| A1 | 20 mm |
| B | 65,1 mm |
| H | 258 mm |
| J | 210 mm |
| L | 155 mm |
| N | 16,5 mm |
| S | 25,4 mm |
| A2 | 30 mm |
| Weight | 5,2 Kg |
| Basic dynamic load rating (C) | 57,2 kN |
| Basic static load rating (C0) | 40,1 kN |

UCFL213E Bearing 2D drawings and 3D CAD models