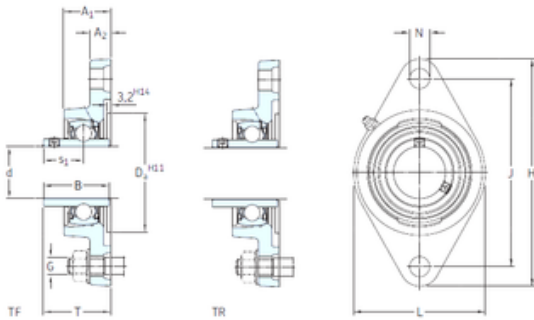




FAG BEARING LIMITED

SKF FYTJ 30 TF bearing units



Bearing No. FYTJ 30 TF

Bore Diameter	30 mm
d	30 mm
Da	76,2 mm
s1	22,2 mm
A1	30,5 mm
B	38,1 mm
G	14 mm
H	148 mm
J	117 mm
L	80 mm
N	16 mm
T	40,2 mm
A2	13,5 mm
Weight	0,93 Kg
Basic dynamic load rating (C)	19,5 kN
Basic static load rating (C0)	11,2 kN
Fatigue load limit (Pu)	0,475
Category	Flange Block Bearings
Inventory	0.0
Manufacturer Name	SKF
Minimum Buy Quantity	N/A
Weight / Kilogram	1.05
Product Group	M06110
Number of Mounting Holes	2
Mounting Method	Set Screw
Housing Style	2 Bolt Flange Block

FYTJ 30 TF Bearing 2D drawings and 3D CAD models



FAG BEARING LIMITED

Rolling Element	Ball Bearing
Housing Material	Cast Iron
Expansion / Non-expansion	Non-expansion
Mounting Bolts	14 Millimeter
Relubricatable	Yes
Insert Part Number	YAR 206-2F
Seals	M Seal
Housing Configuration	1 Piece Solid
Pilot Configuration	No Pilot
Inch - Metric	Metric
Long Description	2 Bolt Flange Block; 30MM Bore; 117MM Bolt Circle; 117MM Bolt Spacing; 1 Piece Solid; Set Screw Mount; Cast Iron; Ball Bearing; 38.1MM Length Thru Bore; Relubricatable; M Seal Seals
Other Features	Single Row Wide Inner Race Open End Has Flinger
Category	Flange Block
UNSPSC	31171501
Harmonized Tariff Code	8483.20.40.40
Noun	Bearing
Keyword String	Flanged
Manufacturer URL	http://www.skf.com
Manufacturer Item Number	FYTJ 30 TF
Weight / LBS	2.32
Bore	1.181 Inch 30 Millimeter
Nominal Bolt Circle Diameter Round	4.6 Inch 117 Millimeter
Cartridge Pilot Diameter	0 Inch 0 Millimeter
Length Thru Bore	1.5 Inch 38.1 Millimeter
Cartridge Pilot Depth	0 Inch 0 Millimeter



FAG BEARING LIMITED

Bolt Spacing	4.6 Inch 117 Millimeter
bore diameter:	30 mm
radial dynamic load capacity:	19.5 kN
bolt center-to-center length:	117 mm
radial static load capacity:	11.2 kN
overall length/diameter:	148 mm
length through bore:	38.1 mm
overall height:	40.2 mm
finish/coating:	Blue Alkyd/Acryl Paint (RAL 5007)
bore type:	Round
bolt size:	16 mm
mounting type:	Two-Bolt Flange
maximum rpm:	6300 rpm
housing material:	Cast Iron
lubrication type:	Lubrication Fitting
locking device:	Set Screw
series:	FYTJ
expansion type:	Non-Expansion Bearing (Fixed)
manufacturer product page:	Click here
bearing material:	Steel
manufacturer upc number:	7316570067613
Housing material	Cast iron
D_a	76.2 mm
D_{b1}	77 mm
D_{b2}	80 mm
A	30.5 mm
A_1	13.5 mm
A_3	3.2 mm
B_4	5 mm
s_1	22.2 mm



FAG BEARING LIMITED

R_G	1/4-28 UNF
R_1	19 mm
R	45 °
D_N	6.5 mm
SW_N	7 mm
G_N	1/4-28 SAE-LT
J_6	99 mm
J_7	12.5 mm
N_4	2 mm
Basic dynamic load rating C	19.5 kN
Basic static load rating C_0	11.2 kN
Fatigue load limit P_u	0.475 kN
Limiting speed	6300 r/min
Mass bearing unit	0.85 kg
Thread grub screw G_2	M6x0.75
Hexagonal key size for grub screw N	3 mm
Recommended tightening torque for grub screw	4 N · m
Recommended diameter for attachment bolts, mm G	14 mm
Recommended diameter for attachment bolts, inch G	0.5625 in