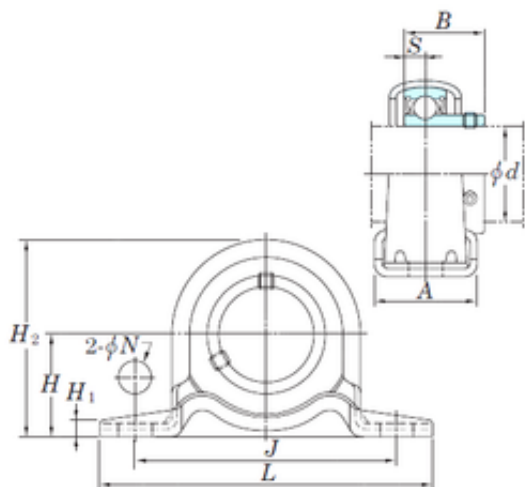




FAG BEARING LIMITED

KOYO SBPP202 bearing units

Bearing No. SBPP202



SBPP202 Bearing 2D drawings and 3D CAD models

Bore Diameter	15 mm
Width	22 mm
d	15 mm
A	25 mm
B	22 mm
H	22,2 mm
H1	3,2 mm
H2	43,8 mm
J	68 mm
L	86 mm
N	9,5 mm
S	6 mm
Bolt (G)	M8
Weight	0,16 Kg
Basic dynamic load rating (C)	9,55 kN
Basic static load rating (C0)	4,8 kN
Bearing No.	SBPP202
Bolt size	M8
Cr	9.55
C0r	4.80
f0	13.2
A1	-
(Refer.)Unit mass(kg)	0.16