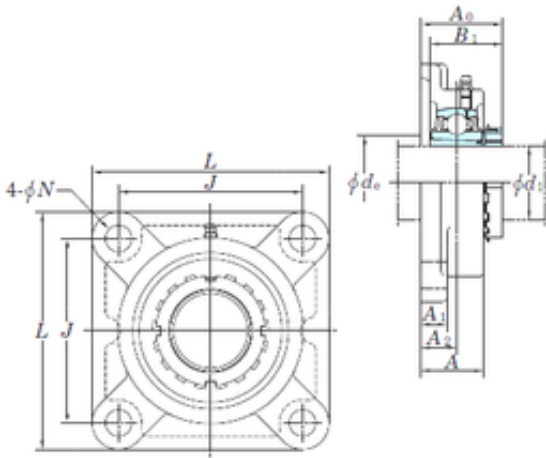




# FAG BEARING LIMITED

## KOYO UKF305 bearing units

Bearing No. UKF305



UKF305 Bearing 2D drawings and 3D CAD models

Bore Diameter	20 mm
d	20 mm
A0	37,5 mm
A	29 mm
A1	13 mm
B1	35 mm
J	80 mm
L	110 mm
N	16 mm
Thread (G)	M14
A2	16 mm
Weight	1,4 Kg
Basic dynamic load rating (C)	21,2 kN
Basic static load rating (C0)	10,9 kN