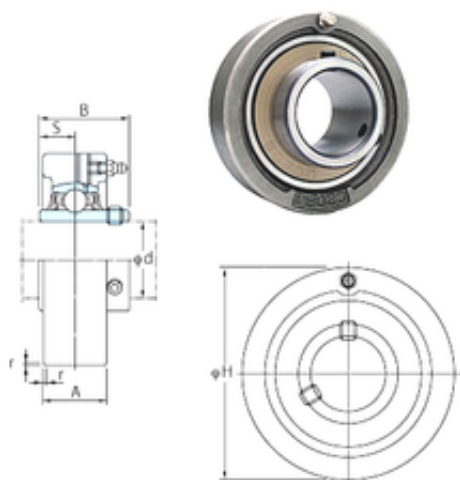




FAG BEARING LIMITED

FYH UCCX07-23 bearing units



Bearing No. UCCX07-23

Bore Diameter	36,5125 mm
Width	49,2 mm
d	36,5125 mm
r	2 mm
A	34 mm
B	49,2 mm
H	110 mm
S	19 mm
Weight	1,7 Kg
Basic dynamic load rating (C)	29,1 kN
Basic static load rating (C0)	17,8 kN

UCCX07-23 Bearing 2D drawings and 3D CAD models