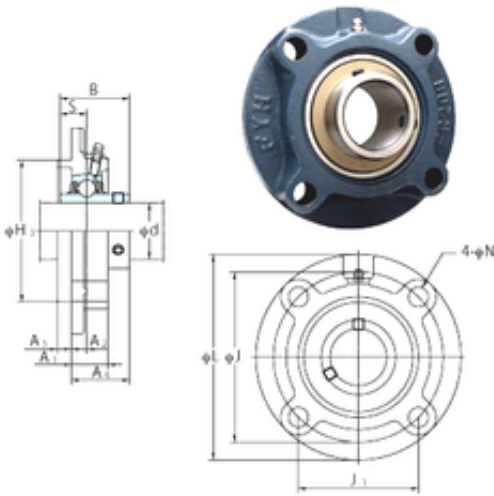




# FAG BEARING LIMITED

## FYH UCFCX08 bearing units

Bearing No. UCFCX08



UCFCX08 Bearing 2D drawings and 3D CAD models

Bore Diameter	40 mm
d	40 mm
H3	92 mm
A4	39,2 mm
A1	26 mm
B	49,2 mm
J	111 mm
L	133 mm
N	12 mm
S	19 mm
Bolt (G)	M10
A2	9 mm
A3	11 mm
J1	78,5 mm
Weight	2 Kg
Basic dynamic load rating (C)	34,1 kN
Basic static load rating (C0)	21,3 kN
Category	Bearings
Inventory	0.0
Manufacturer Name	FYH BEARING UNITS
Minimum Buy Quantity	N/A
Weight / Kilogram	0
Product Group	M06110