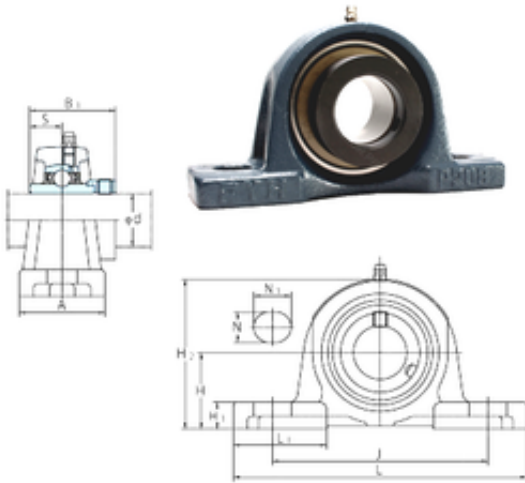




FAG BEARING LIMITED

FYH NAP212 bearing units



NAP212 Bearing 2D drawings and 3D CAD models

Bearing No. NAP212

Bore Diameter	60 mm
Width	69,8 mm
d	60 mm
A	70 mm
B1	77,8 mm
H	69,8 mm
H1	22 mm
H2	138 mm
J	184 mm
L	241 mm
L1	76 mm
N	20 mm
N1	25 mm
S	31 mm
Bolt (G)	M16
Weight	5,2 Kg
Basic dynamic load rating (C)	52,4 kN
Category	Mounted Units & Inserts
Inventory	0.0
Manufacturer Name	FYH BEARING UNITS
Minimum Buy Quantity	N/A
Weight / Kilogram	0
Product Group	M06110