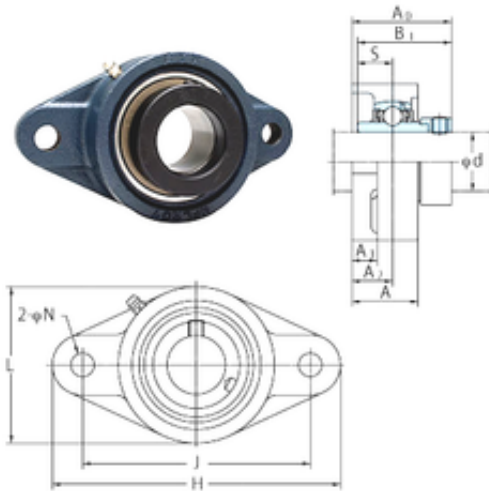




# FAG BEARING LIMITED

## FYH NANFL210-31 bearing units

Bearing No. NANFL210-31



NANFL210-31 Bearing 2D drawings and 3D CAD models

Bore Diameter	49,2125 mm
d	49,2125 mm
A0	66,6 mm
A	46,5 mm
A1	14 mm
B1	62,7 mm
H	197 mm
J	157 mm
L	115 mm
N	15 mm
S	24,6 mm
Bolt (G)	1/2
A2	28,5 mm
Weight	2,7 Kg
Basic dynamic load rating (C)	35,1 kN
Basic static load rating (C0)	23,3 kN