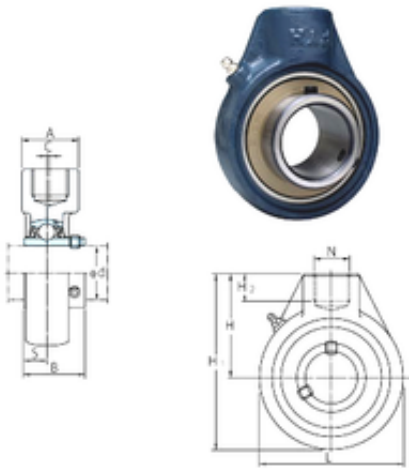




FAG BEARING LIMITED

FYH UCHA208-25 bearing units

Bearing No. UCHA208-25



UCHA208-25 Bearing 2D drawings and 3D CAD models

Bore Diameter	39,6875 mm
Width	49,2 mm
d	39,6875 mm
A	40 mm
B	49,2 mm
C	2 mm
H	73 mm
H1	121 mm
H2	19 mm
L	96 mm
S	19 mm
Bolt (G)	PF 3/4
Weight	1,3 Kg
Basic dynamic load rating (C)	29,1 kN
Basic static load rating (C0)	17,8 kN