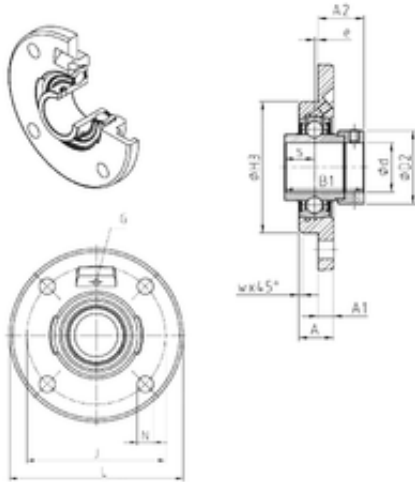




FAG BEARING LIMITED



SNR EXFCE212 bearing units

Bearing No. EXFCE212

Bore Diameter	60 mm
d	60 mm
H3	135 mm
e	1 mm
s	30,9 mm
A	30,5 mm
A1	16 mm
B1	77,7 mm
D2	84,2 mm
J	160 mm
L	195 mm
N	18 mm
W	3 mm
Thread (G)	R1/8"
A2	45,8 mm
Weight	4,2 Kg
Basic dynamic load rating (C)	52,5 kN

EXFCE212 Bearing 2D drawings and 3D CAD models