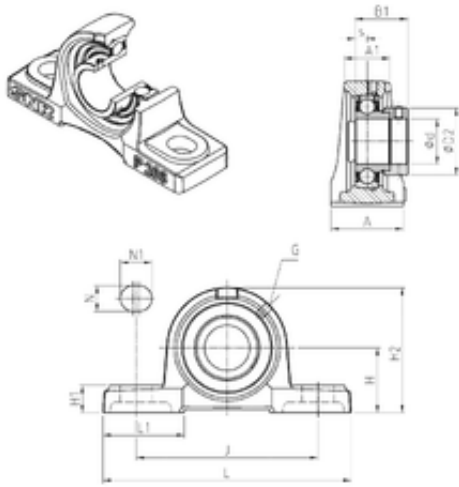




FAG BEARING LIMITED



SNR ESP209 bearing units

Bearing No. ESP209

Bore Diameter	45 mm
d	45 mm
s	11 mm
A	54 mm
A1	37 mm
B1	43,7 mm
D2	63,5 mm
H	54 mm
H1	20 mm
H2	108 mm
J	146 mm
L	190 mm
L1	60 mm
N	17 mm
N1	23 mm
Thread (G)	M6x1
Weight	2,4 Kg
Basic dynamic load rating (C)	31,85 kN

ESP209 Bearing 2D drawings and 3D CAD models