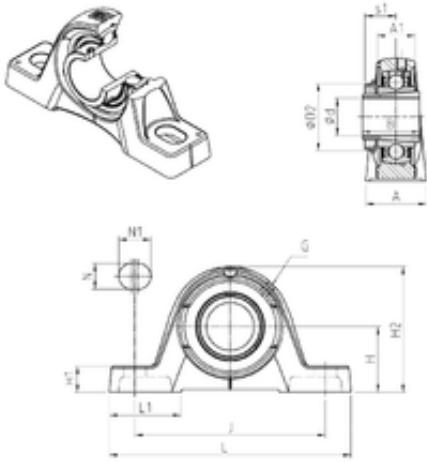




FAG BEARING LIMITED

SNR UKPE213H bearing units

Bearing No. UKPE213H



UKPE213H Bearing 2D drawings and 3D CAD models

Bore Diameter	60 mm
d	60 mm
s1	32 mm
A	65 mm
A1	44 mm
B	65 mm
D2	85 mm
H	79,4 mm
H1	27,5 mm
H2	156 mm
J	203 mm
L	260 mm
L1	77 mm
N	22 mm
N1	28 mm
Thread (G)	R1/8"
Weight	7,3 Kg
Basic dynamic load rating (C)	57,2 kN