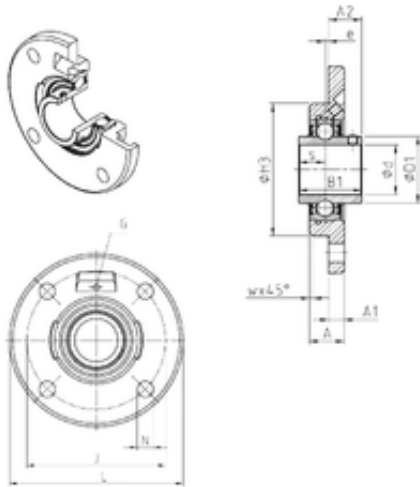




FAG BEARING LIMITED



SNR UCFCE202 bearing units

Bearing No. UCFCE202

Bore Diameter	15 mm
d	15 mm
H3	62 mm
e	2 mm
s	12,7 mm
A	18 mm
A1	8 mm
B1	31 mm
D1	29 mm
J	78 mm
L	100 mm
N	9 mm
W	2 mm
Thread (G)	M6x1
A2	16,3 mm
Weight	0,6 Kg
Basic dynamic load rating (C)	12,8 kN

UCFCE202 Bearing 2D drawings and 3D CAD models