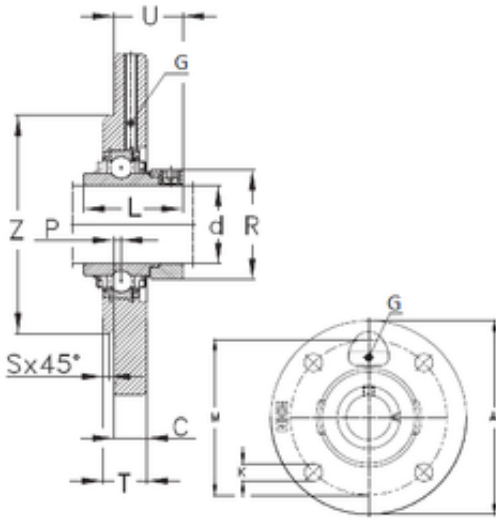




FAG BEARING LIMITED



RME080 Bearing 2D drawings and 3D CAD models

NKE RME080 bearing units

Bearing No. RME080

Bore Diameter	80 mm
d	80 mm
P -	3
U	56,7 mm
K	22 mm
Z	200 mm
A	275 mm
C	22 mm
L	93,7 mm
M	235 mm
R	118 mm
S	6 mm
T	50 mm
Thread (G)	R1/8 "