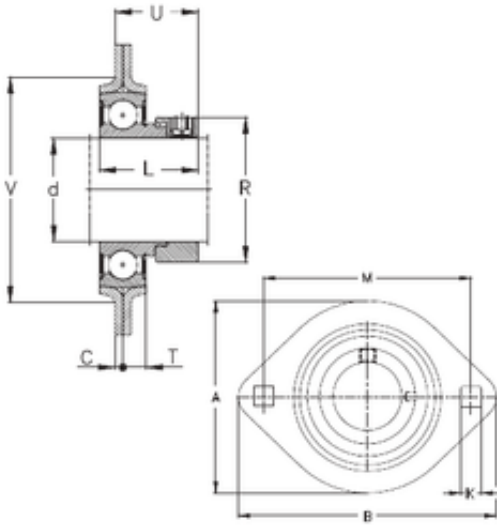




FAG BEARING LIMITED



RAT30 Bearing 2D drawings and 3D CAD models

NKE RAT30 bearing units

Bearing No. RAT30

Bore Diameter	30 mm
d	30 mm
V	71 mm
U	29,2 mm
A	84 mm
B	112,7 mm
C	2,5 mm
K	10,5 mm
L	35,7 mm
M	90,5 mm
R	44 mm
T	8,7 mm