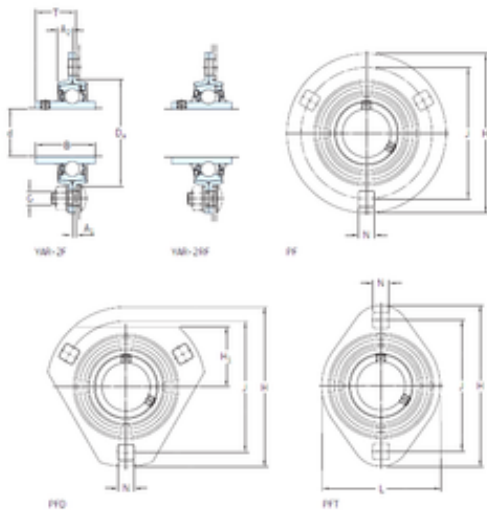




# FAG BEARING LIMITED



## SKF PF 12 TF bearing units

Bearing No. PF 12 TF

Bore Diameter	12 mm
Width	27,4 mm
d	12 mm
Da	49 mm
A1	2 mm
B	27,4 mm
G	6 mm
H	81 mm
H1	– mm
J	63 mm
L	–
N	7,1 mm
T	17,9 mm
A2	7 mm
Weight	0,26 Kg
Basic dynamic load rating (C)	9,56 kN
Basic static load rating (C0)	4,75 kN
Housing material	Pressed steel
A <sub>1</sub>	2 mm
A <sub>2</sub>	7 mm
B <sub>4</sub>	4 mm
D <sub>a</sub> min.	44 mm
s <sub>1</sub>	15.9 mm
Basic dynamic load rating C	9.56 kN
Basic static load rating C <sub>0</sub>	4.75 kN
Fatigue load limit P <sub>u</sub>	0.2 kN

PF 12 TF Bearing 2D drawings and 3D CAD models



## FAG BEARING LIMITED

Permissible radial housing load max.	2.5 kN
Mass unit	0.24 kg
Thread grub screw G <sub>2</sub>	M6x0.75
Hexagonal key size for grub screw N	3 mm
Recommended tightening torque for grub screw	4 N · m
Recommended diameter for attachment bolts, mm G	6 mm
Recommended diameter for attachment bolts, inch G	0.25 in