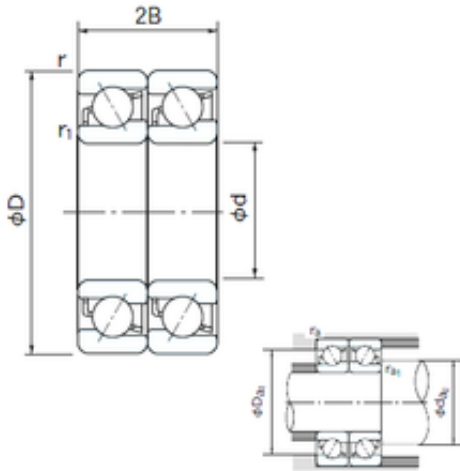




FAG BEARING LIMITED



12 mm x 32 mm x 10 mm NACHI 7201CDT
angular contact ball bearings

Bearing No. 7201CDT

7201CDT Bearing 2D drawings and 3D CAD models

Size	12x32x10 mm
Bore Diameter	12 mm
Outer Diameter	32 mm
Width	10 mm
d	12 mm
D	32 mm
B	10 mm
C	10 mm
Angle (°)	15 °
a -	2.5 mm
r min.	0.6 mm
r1 min.	0.3 mm
2B	20 mm
da min.	17 mm
Da max.	29.4 mm
ra max.	0.3 mm
Weight	0.040 Kg
Basic dynamic load rating (C)	13 kN
Basic static load rating (C0)	7,75 kN
(Grease) Lubrication Speed	29000 r/min
Bore Type	Cylindrical Bore
Enclosure	Open
Configuration	Duplex
Bore Size	12 mm
Outside Diameter	32 mm



FAG BEARING LIMITED

Width	10 mm
Fillet Radius/Chamfer	0.6 mm
r1	0.3 mm
Dynamic Load Rating	13,000 N
Static Load Rating	7,750 N
Limiting Speed - Grease	29,000 rpm
Limiting Speed - Oil	40,000 rpm
da1 (min)	17 mm
da2 (min)	17 mm
Da1 (max)	27 mm
Da2 (max)	29.4 mm
ra (max)	0.6 mm
ra1 (max)	0.3 mm