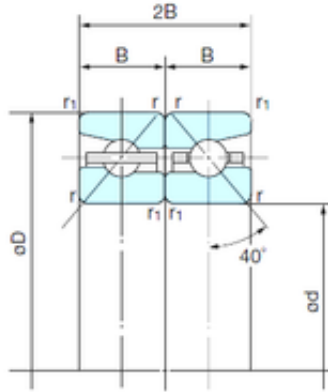




FAG BEARING LIMITED

150 mm x 225 mm x 33,75 mm NACHI 150TBH10DB angular contact ball bearings



Bearing No. 150TBH10DB

Size	150x225x33.75 mm
Bore Diameter	150 mm
Outer Diameter	225 mm
Width	33,75 mm
d	150 mm
D	225 mm
B	33,75 mm
Angle (°)	40 °
r min.	2.1 mm
r1 min.	1.1 mm
2B	67,5 mm
Basic dynamic load rating (C)	143 kN
Basic static load rating (C0)	445 kN
(Grease) Lubrication Speed	2700 r/min

150TBH10DB Bearing 2D drawings and 3D CAD models