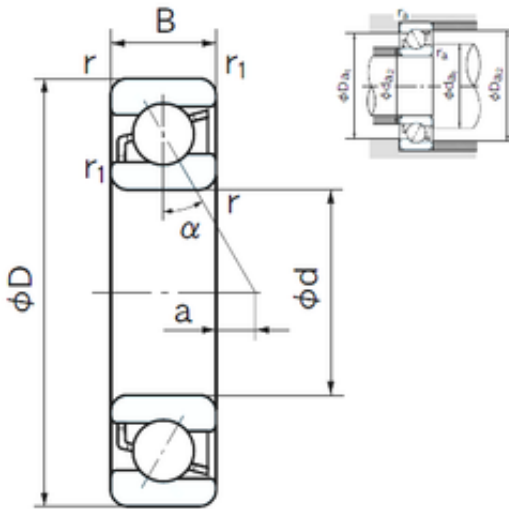




FAG BEARING LIMITED



85 mm x 150 mm x 28 mm NACHI 7217 angular contact ball bearings

Bearing No. 7217

7217 Bearing 2D drawings and 3D CAD models

Size	85x150x28 mm
Bore Diameter	85 mm
Outer Diameter	150 mm
Width	28 mm
d	85 mm
D	150 mm
B	28 mm
C	28 mm
Angle (°)	30 °
a	19.9 mm
r min.	2 mm
r1 min.	1 mm
da min.	95 mm
Da max.	140 mm
ra max.	2 mm
Weight	1.87 Kg
Basic dynamic load rating (C)	103 kN
Basic static load rating (C0)	89,5 kN
(Grease) Lubrication Speed	3800 r/min
Configuration	Single Row
Enclosure	Open
Bore Type	Cylindrical Bore
Bore Size	85 mm
Outside Diameter	150 mm
Width	28 mm



FAG BEARING LIMITED

Fillet Radius/Chamfer	2 mm
r1	1 mm
Dynamic Load Rating	103,000 N
Static Load Rating	89,500 N
Limiting Speed - Grease	3,800 rpm
Limiting Speed - Oil	5,000 rpm
da1 (min)	95 mm
da2 (min)	91 mm
Da1 (max)	140 mm
Da2 (max)	144 mm
ra (max)	2 mm
ra1 (max)	1 mm