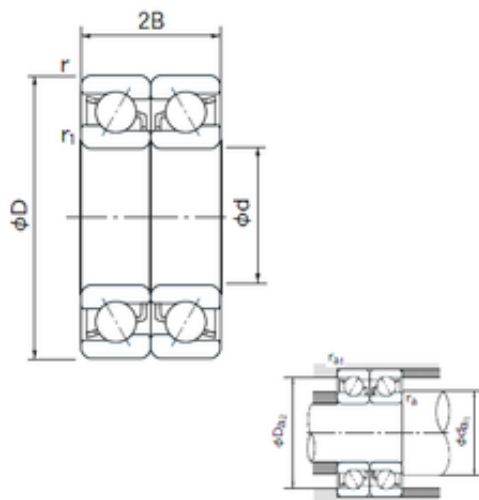




FAG BEARING LIMITED



95 mm x 145 mm x 24 mm NACHI 7019DB
angular contact ball bearings

Bearing No. 7019DB

7019DB Bearing 2D drawings and 3D CAD models

Size	95x145x24 mm
Bore Diameter	95 mm
Outer Diameter	145 mm
Width	24 mm
d	95 mm
D	145 mm
B	24 mm
C	24 mm
Angle (°)	30 °
a	22.6 mm
r min.	1.5 mm
r1 min.	1 mm
2B	48 mm
da min.	102 mm
Da max.	140.6 mm
ra max.	1 mm
Weight	1.36 Kg
Basic dynamic load rating (C)	109 kN
Basic static load rating (C0)	133 kN
(Grease) Lubrication Speed	3100 r/min
Bore Type	Cylindrical Bore
Enclosure	Open
Configuration	Duplex
Bore Size	95 mm
Outside Diameter	145 mm



FAG BEARING LIMITED

Width	24 mm
Fillet Radius/Chamfer	1.5 mm
r1	1 mm
Dynamic Load Rating	109,000 N
Static Load Rating	133,000 N
Limiting Speed - Grease	3,100 rpm
Limiting Speed - Oil	4,200 rpm
da1 (min)	102 mm
da2 (min)	102 mm
Da1 (max)	138 mm
Da2 (max)	140.6 mm
ra (max)	1.5 mm
ra1 (max)	1 mm