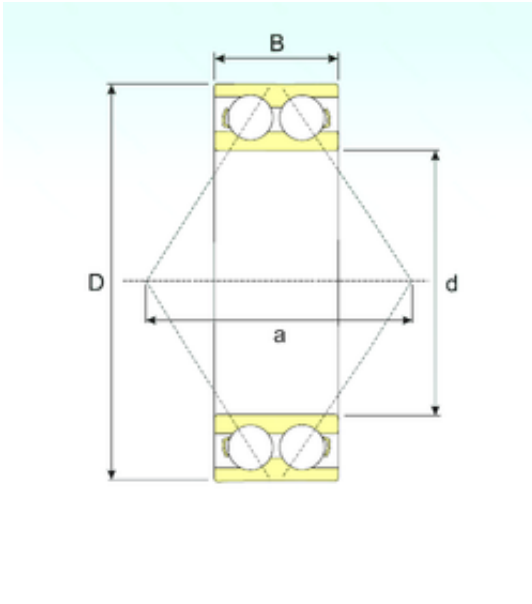




FAG BEARING LIMITED



3302 Bearing 2D drawings and 3D CAD models

15 mm x 42 mm x 19 mm CYSD 3302 angular contact ball bearings

Bearing No. 3302

Size	15x42x19 mm
Bore Diameter	15 mm
Outer Diameter	42 mm
Width	19 mm
d	15 mm
D	42 mm
B	19 mm
C	19 mm
r min.	1 mm
Weight	0,132 Kg
Basic dynamic load rating (C)	15,2 kN
Basic static load rating (C0)	11,9 kN
(Grease) Lubrication Speed	10000 r/min