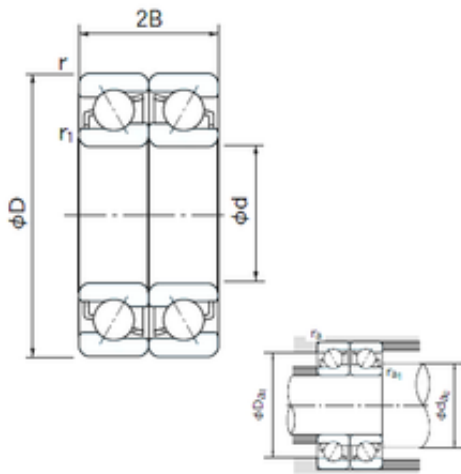




FAG BEARING LIMITED



70 mm x 125 mm x 24 mm NACHI 7214BDF
angular contact ball bearings

Bearing No. 7214BDF

7214BDF Bearing 2D drawings and 3D CAD models

Size	70x125x24 mm
Bore Diameter	70 mm
Outer Diameter	125 mm
Width	24 mm
d	70 mm
D	125 mm
B	24 mm
C	24 mm
Angle (°)	40 °
a	29.0 mm
r min.	1.5 mm
r1 min.	1 mm
2B	48 mm
da min.	75 mm
Da max.	119.6 mm
ra max.	1 mm
Weight	1.12 Kg
Basic dynamic load rating (C)	116 kN
Basic static load rating (C0)	120 kN
(Grease) Lubrication Speed	3200 r/min
Bore Type	Cylindrical Bore
Enclosure	Open
Configuration	Duplex
Bore Size	70 mm
Outside Diameter	125 mm



FAG BEARING LIMITED

Width	24 mm
Fillet Radius/Chamfer	1.5 mm
r1	1 mm
Dynamic Load Rating	116,000 N
Static Load Rating	120,000 N
Limiting Speed - Grease	3,200 rpm
Limiting Speed - Oil	4,500 rpm
da1 (min)	79 mm
da2 (min)	75 mm
Da1 (max)	116 mm
Da2 (max)	119.6 mm
ra (max)	1.5 mm
ra1 (max)	1 mm