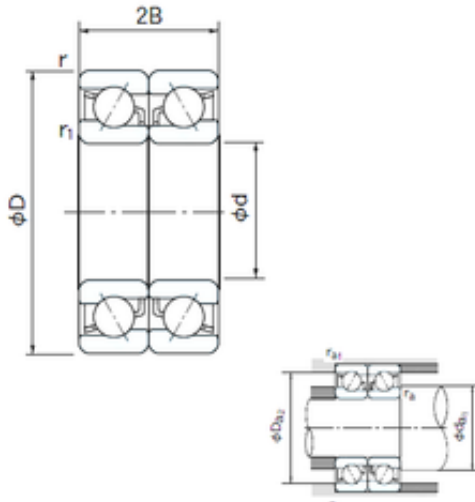




FAG BEARING LIMITED



120 mm x 260 mm x 55 mm NACHI 7324DB
angular contact ball bearings

Bearing No. 7324DB

7324DB Bearing 2D drawings and 3D CAD models

Size	120x260x55 mm
Bore Diameter	120 mm
Outer Diameter	260 mm
Width	55 mm
d	120 mm
D	260 mm
B	55 mm
C	55 mm
Angle (°)	30 °
a	27.3 mm
r min.	3 mm
r1 min.	1.1 mm
2B	110 mm
da min.	127 mm
Da max.	253 mm
ra max.	1 mm
Weight	14.2 Kg
Basic dynamic load rating (C)	420 kN
Basic static load rating (C0)	540 kN
(Grease) Lubrication Speed	1800 r/min
Bore Type	Cylindrical Bore
Enclosure	Open
Configuration	Duplex
Bore Size	120 mm
Outside Diameter	260 mm



FAG BEARING LIMITED

Width	55 mm
Fillet Radius/Chamfer	3 mm
r1	1.1 mm
Dynamic Load Rating	420,000 N
Static Load Rating	540,000 N
Limiting Speed - Grease	1,800 rpm
Limiting Speed - Oil	2,400 rpm
da1 (min)	134 mm
da2 (min)	127 mm
Da1 (max)	246 mm
Da2 (max)	253 mm
ra (max)	2.5 mm
ra1 (max)	1 mm