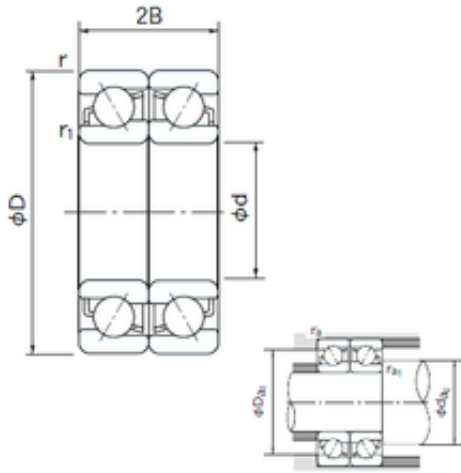




# FAG BEARING LIMITED



140 mm x 210 mm x 33 mm NACHI 7028DF  
angular contact ball bearings

Bearing No. 7028DF

7028DF Bearing 2D drawings and 3D CAD models

Size	140x210x33 mm
Bore Diameter	140 mm
Outer Diameter	210 mm
Width	33 mm
d	140 mm
D	210 mm
B	33 mm
C	33 mm
Angle ( ° )	30 °
a	34 mm
r min.	2 mm
r1 min.	1 mm
2B	66 mm
da min.	148 mm
Da max.	205 mm
ra max.	1 mm
Weight	3.63 Kg
Basic dynamic load rating (C)	194 kN
Basic static load rating (C0)	265 kN
(Grease) Lubrication Speed	1900 r/min
Bore Type	Cylindrical Bore
Enclosure	Open
Configuration	Duplex
Bore Size	140 mm
Outside Diameter	210 mm



## FAG BEARING LIMITED

Width	33 mm
Fillet Radius/Chamfer	2 mm
r1	1 mm
Dynamic Load Rating	194,000 N
Static Load Rating	265,000 N
Limiting Speed - Grease	1,900 rpm
Limiting Speed - Oil	2,600 rpm
da1 (min)	148 mm
da2 (min)	148 mm
Da1 (max)	202 mm
Da2 (max)	205 mm
ra (max)	2 mm
ra1 (max)	1 mm