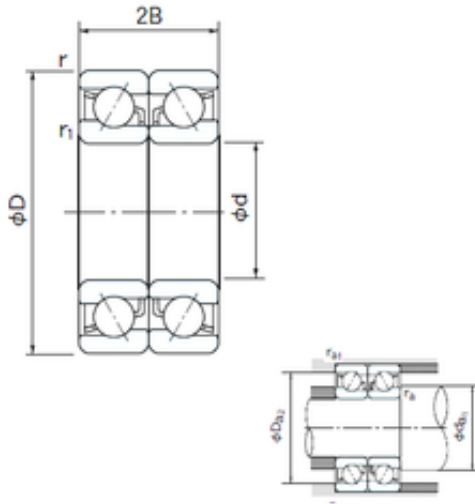




FAG BEARING LIMITED



7030DB Bearing 2D drawings and 3D CAD models

150 mm x 225 mm x 35 mm NACHI 7030DB
angular contact ball bearings

Bearing No. 7030DB

Size	150x225x35 mm
Bore Diameter	150 mm
Outer Diameter	225 mm
Width	35 mm
d	150 mm
D	225 mm
B	35 mm
C	35 mm
Angle (°)	30 °
a	36.6 mm
r min.	2.1 mm
r1 min.	1.1 mm
2B	70 mm
da min.	159 mm
Da max.	219 mm
ra max.	1 mm
Weight	4.42 Kg
Basic dynamic load rating (C)	222 kN
Basic static load rating (C0)	305 kN
(Grease) Lubrication Speed	1800 r/min
Bore Type	Cylindrical Bore
Enclosure	Open
Configuration	Duplex
Bore Size	150 mm
Outside Diameter	225 mm



FAG BEARING LIMITED

Width	35 mm
Fillet Radius/Chamfer	2.1 mm
r1	1.1 mm
Dynamic Load Rating	222,000 N
Static Load Rating	305,000 N
Limiting Speed - Grease	1,800 rpm
Limiting Speed - Oil	2,400 rpm
da1 (min)	159 mm
da2 (min)	159 mm
Da1 (max)	216 mm
Da2 (max)	219 mm
ra (max)	2 mm
ra1 (max)	1 mm