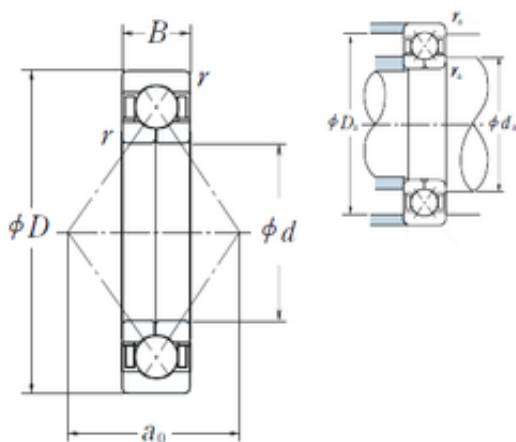




FAG BEARING LIMITED

40 mm x 90 mm x 23 mm NSK QJ308 angular contact ball bearings

Bearing No. QJ308



QJ308 Bearing 2D drawings and 3D CAD models

Size	40x90x23 mm
Bore Diameter	40 mm
Outer Diameter	90 mm
Width	23 mm
d	40 mm
D	90 mm
B	23 mm
C	23 mm
Angle (°)	35 °
a	45,5 mm
r min.	1,5 mm
da min.	49 mm
da max	81 mm
ra max.	1,5 mm
Weight	0,78 Kg
Basic dynamic load rating (C)	67 kN
Basic static load rating (C0)	100 kN
(Grease) Lubrication Speed	6 300 r/min
SRI	7.84
hidYobi	QJ308
LangID	1
ALP23	0
ALP22	0
D_	90
ALP21	35



FAG BEARING LIMITED

SREX	0.065
B_	23
hidTable	ecat_NSANGFP
Oil rpm	8500
C0r	10200
SRE	7.84
mass	0.78
GRS rpm	6300
ra	1.5
SRIX	0.065
D_a	81
Cr	6850
SRIN	0
C0	100
SREN	0
DE_	80.231
Prod_Type3	ACBB_FP_A
da	49
DA_	15.081
Z_	11
yobi	QJ308
ao	45.5
SDM_	65
r	1.5
KBRG	7764
DI_	49.759