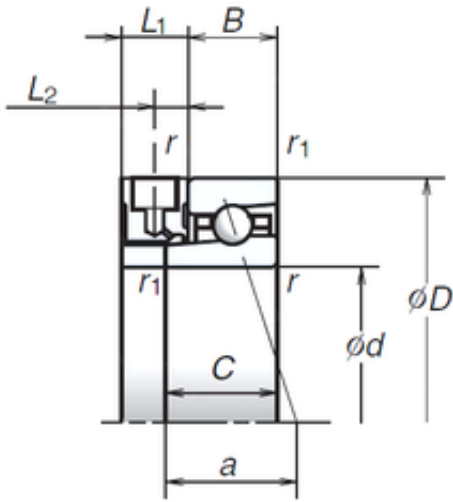




# FAG BEARING LIMITED



110 mm x 170 mm x 28 mm NSK 110BER10XE  
angular contact ball bearings

Bearing No. 110BER10XE

Size	110x170x28 mm
Bore Diameter	110 mm
Outer Diameter	170 mm
Width	28 mm
d	110 mm
D	170 mm
B	28 mm
C	33 mm
L2	7,5 mm
Angle ( ° )	25 °
a	51,7 mm
r min.	2 mm
r1 min.	1 mm
L1	15 mm
Weight	2,139 Kg
Basic dynamic load rating (C)	44 kN
Basic static load rating (C0)	45 kN
(Grease) Lubrication Speed	21 500 r/min

110BER10XE Bearing 2D drawings and 3D CAD models