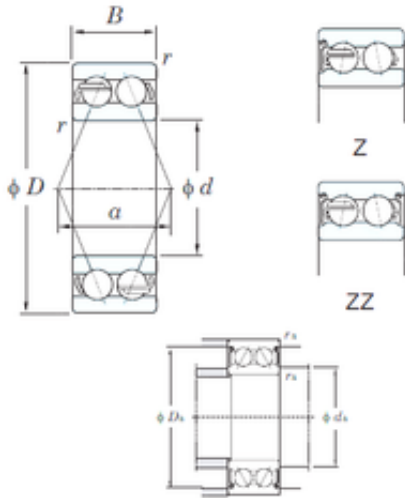




FAG BEARING LIMITED



17 mm x 40 mm x 17.5 mm KOYO 5203ZZ
angular contact ball bearings

Bearing No. 5203ZZ

5203ZZ Bearing 2D drawings and 3D CAD models

Size	17x40x17.5 mm
Bore Diameter	17 mm
Outer Diameter	40 mm
Width	17.5 mm
d	17 mm
D	40 mm
B	17.5 mm
C	17.5 mm
a	20.0 mm
r min.	0.6 mm
da min.	21.5 mm
da max	23.5 mm
Da max.	35.5 mm
ra max.	0.6 mm
Weight	0.091 Kg
Basic dynamic load rating (C)	12.7 kN
Basic static load rating (C0)	8.35 kN
Category	Angular Contact Ball Bearings
Inventory	0.0
Manufacturer Name	KOYO
Minimum Buy Quantity	N/A
Weight / Kilogram	0.099
Product Group	B00152
Enclosure	2 Metal Shields



FAG BEARING LIMITED

Flush Ground	No
Rolling Element	Ball Bearing
Number of Rows of Balls	Double Row
Precision Class	ABEC 1 ISO P0
Maximum Capacity / Filling Slot	No
Snap Ring	No
Cage Material	Steel
Contact Angle	24 Degree
Internal Clearance	C0-Medium
Number of Bearings	1 (Single)
Inch - Metric	Metric
Long Description	17MM Bore; 40MM Outside Diameter; 17.5MM Width; 2 Metal Shields; No Flush Ground; Ball Bearing; Double Row of Balls; ABEC 1 ISO P0; No Filling Slot; No Snap Ring; C0-Medium; Steel Cage; 24 Degree; 1
Category	Angular Contact Ball Bearing
UNSPSC	31171531
Harmonized Tariff Code	8482.10.50.28
Noun	Bearing
Keyword String	Angular Contact
Manufacturer URL	http://www.koyousa.com
Outside Diameter	1.575 Inch 40 Millimeter
Width	0.689 Inch 17.5 Millimeter
Bore	0.669 Inch 17 Millimeter