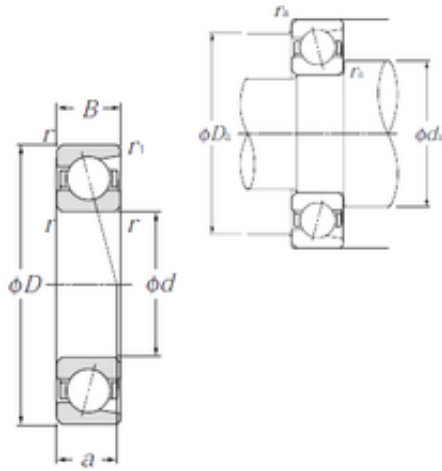




FAG BEARING LIMITED

85 mm x 120 mm x 18 mm NTN 7917 angular contact ball bearings



Bearing No. 7917

Size	85x120x18 mm
Bore Diameter	85 mm
Outer Diameter	120 mm
Width	18 mm
d	85 mm
D	120 mm
B	18 mm
C	18 mm
Angle (°)	25 °
a	38,5 mm
r min.	1,1 mm
r1 min.	0,6 mm
da min.	92 mm
db min	92 mm
ra max.	1 mm
Weight	0,628 Kg
Basic dynamic load rating (C)	36 kN
Basic static load rating (C0)	38 kN
(Grease) Lubrication Speed	5 500 r/min

7917 Bearing 2D drawings and 3D CAD models